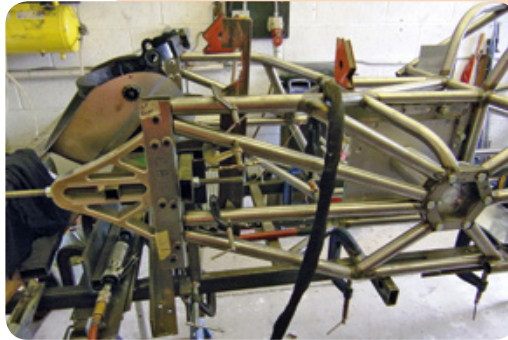


CAD RACE VEHICLE DESIGNER

Students get hands-on help, over 10-weeks, to design a Gravity Racer, or Greenpower F24 car, for your school or club to race in National and International championships.

Whether you are already competing, or still considering it, you can take advantage of the design and engineering expertise behind the World-Record-challenging Fast Charge® electric drag-racing motorbike to learn, first-hand, skills that are valued by engineering employers around the world.



Nobody else offers such an experienced team of award-winning engineers covering topics such as design, modelling, geometric tolerances, materials, and manufacturing.

For much less than the cost of a kit-built car we can show you how to design your own, and give you access to free/discount parts and material via our industry-leading Fast Charge® sponsors. It's your choice – bolt together a kit, or learn the engineering and technology behind building your own car. Only one of those routes will get prospective employers really interested.

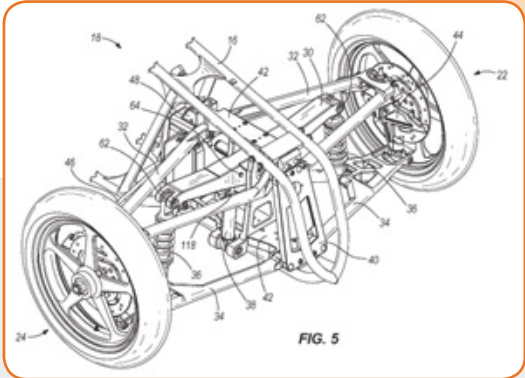
All students will receive a **Certificate of Achievement**.

Note - many schools part- or fully-fund this through student contributions.

"The electric racing bike is fantastic, absolutely fascinating; I wish you well with the world-record challenge"

Phil Read MBE,
8x World Motorcycle
Champion and 8x TT Winner

- KEY STAGE 1
- KEY STAGE 2
- KEY STAGE 3
- KEY STAGE 4
- KEY STAGE 5



About Weald Technology

Weald Technology Ltd is a social enterprise and an award-winning engineering company. Our mission is to inspire young people to pursue engineering careers, which we do with STEM workshops based on innovations in sustainable transport. We keep our knowledge up-to-date, and our STEM projects relevant, through collaborating on industrial research and development.



For further information please call
Phil Edwards on 01825 761890
email: education@weald-tech.co.uk

